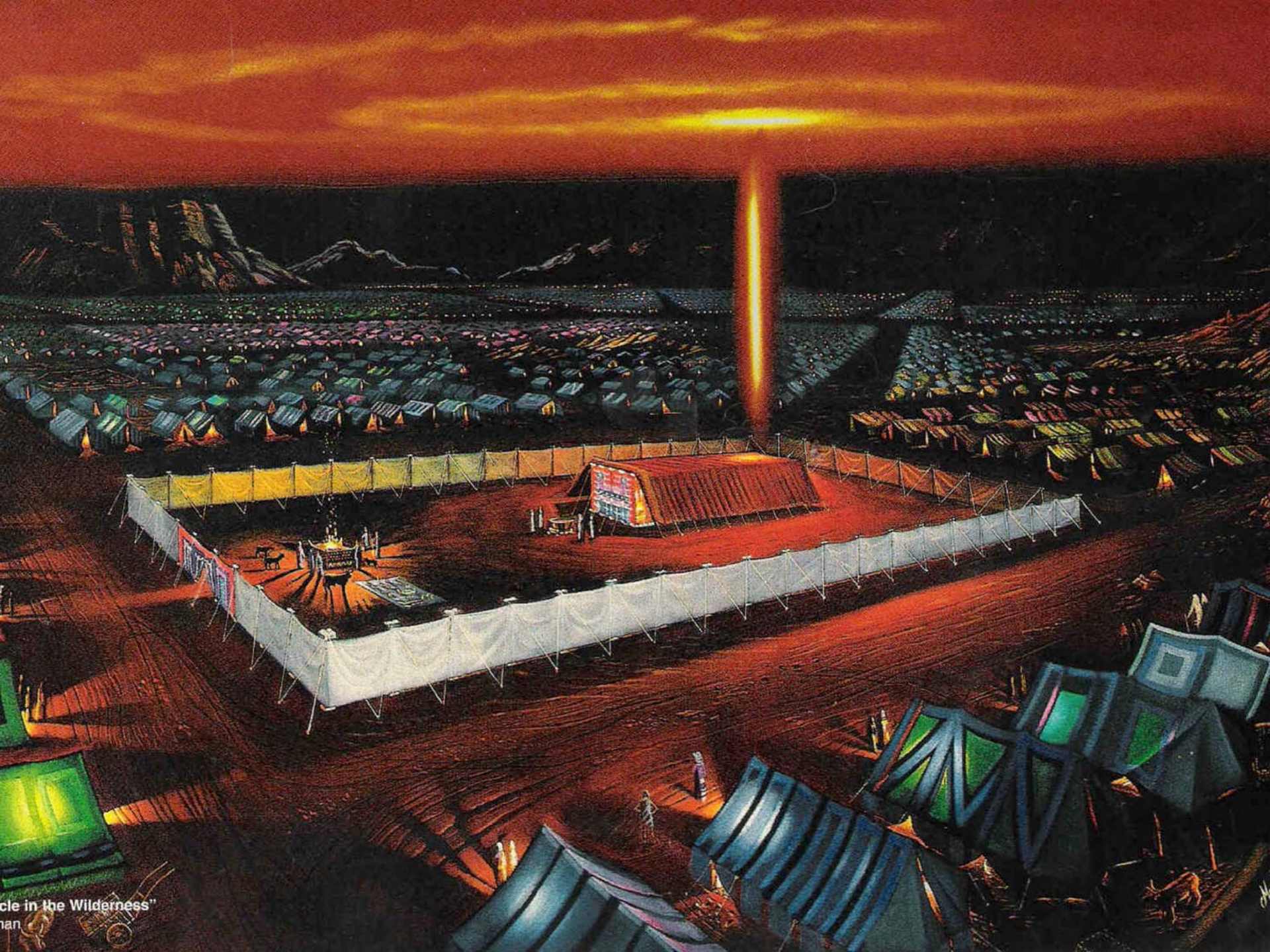


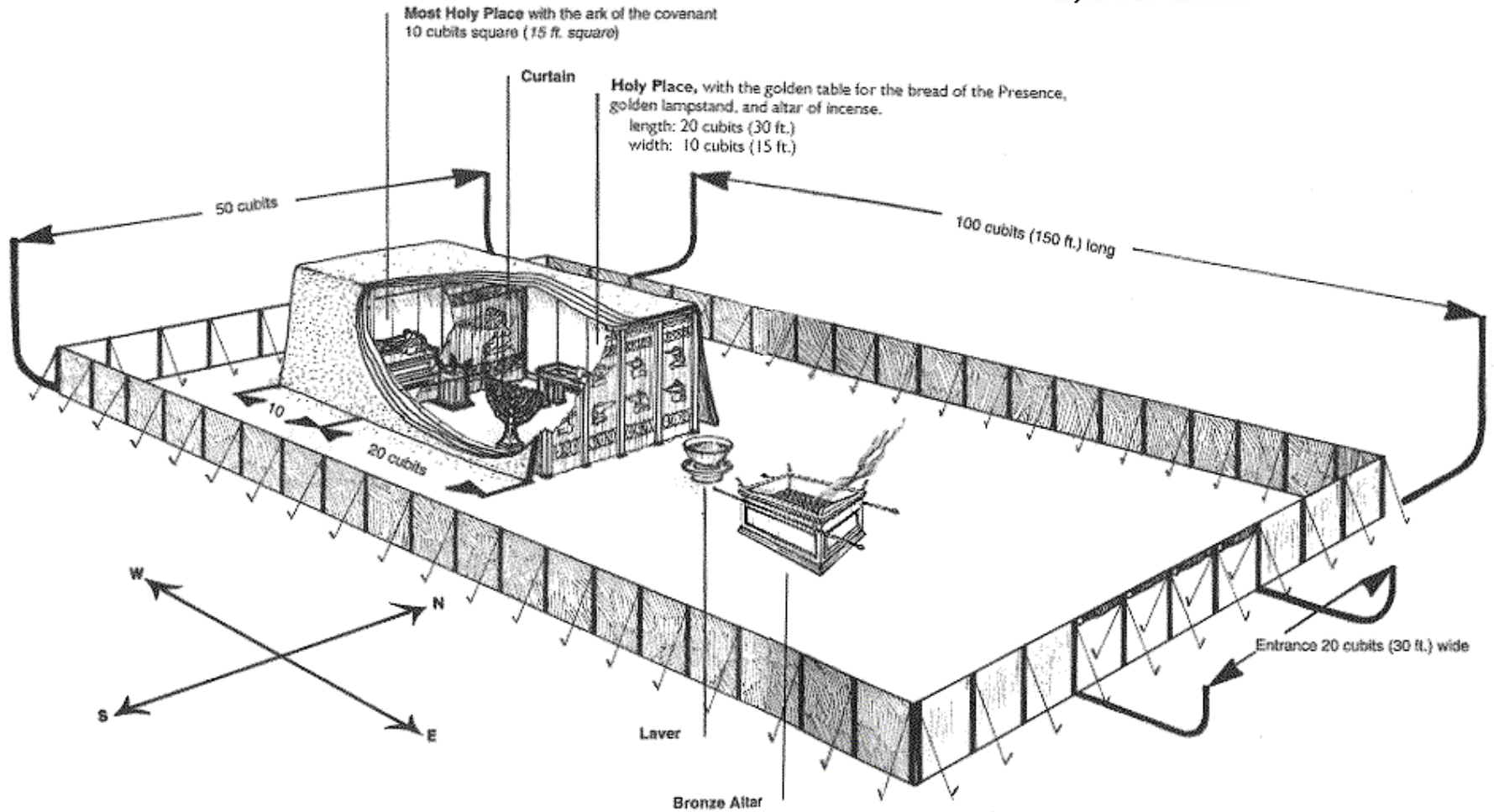
משכן

The Tabernacle



icle in the Wilderness"
han

Layout of the Tabernacle





Tabernacle holy place with objects



**Golden
Candlestick**

Table of Showbread: Christ the Bread of Life





Tabernacle altar of incense

Matt. 12:3, “But He said to them, ‘Have you not read what David did when he became hungry, he and his companions,

Matt. 12:4, “‘how he entered the house of God, and they ate the consecrated bread, which was not lawful for him to eat nor for those with him, but for the priests alone?’”

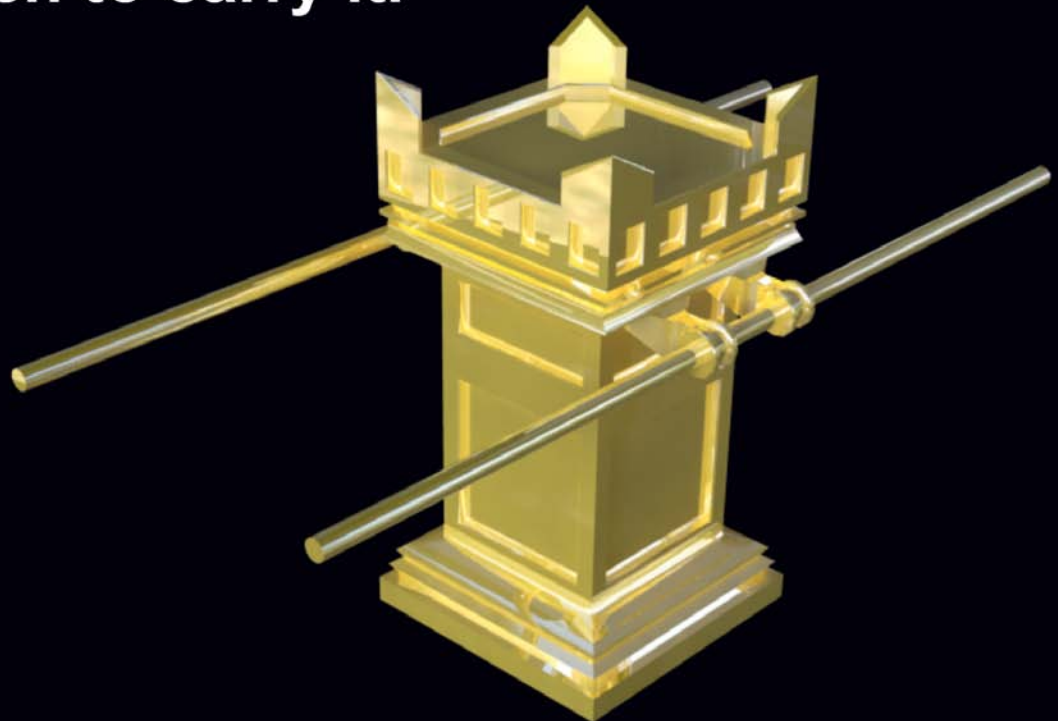
Ex. 30:1, “Moreover, you shall make an altar as a place for burning incense; you shall make it of acacia wood.

Ex. 30:2, “Its length shall be a cubit, and its width a cubit, it shall be square, and its height shall be two cubits; its horns shall be of one piece with it.



Ex. 30:3, “You shall overlay it with pure gold, its top and its sides all around, and its horns; and you shall make a gold molding all around for it.

Ex. 30:4, “You shall make two gold rings for it under its molding; you shall make them on its two side walls—on opposite sides—and they shall be holders for poles with which to carry it.



Ex. 30:5, “You shall make the poles of acacia wood and overlay them with gold.”

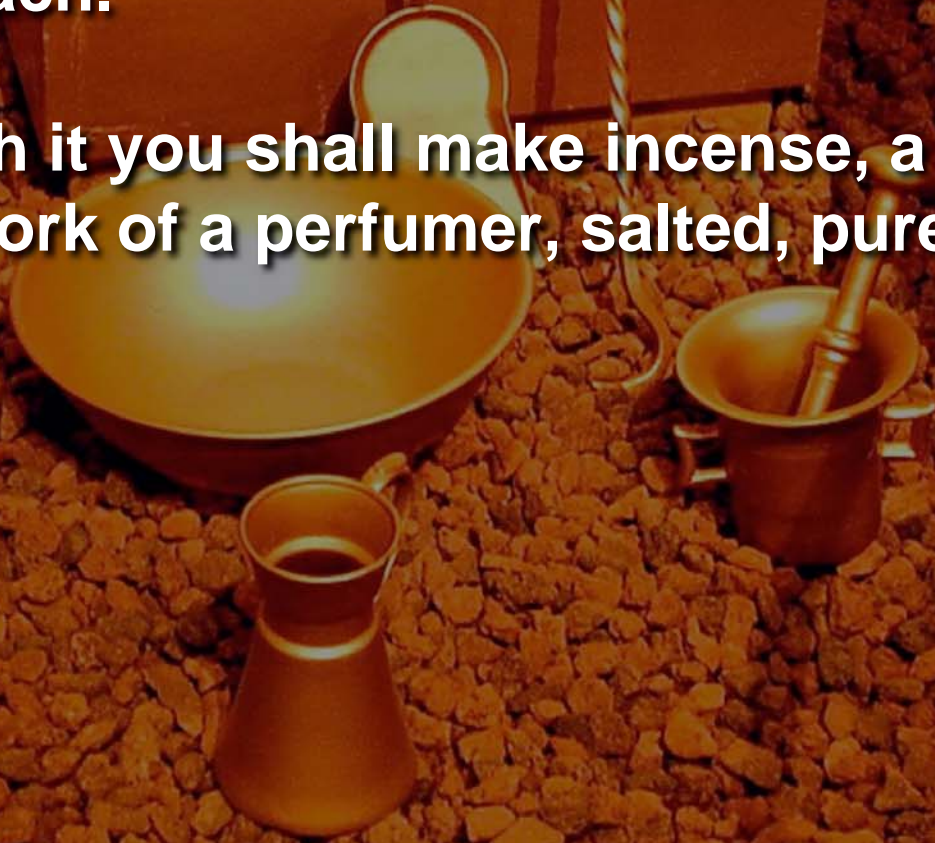
John 1:14, “And the Word was made flesh, and dwelt among us (and we beheld his glory, the glory as of the only begotten of the Father), full of grace and truth.”

Ex. 30:6, “You shall put this altar in front of the veil that is near the ark of the testimony, in front of the mercy seat that is over the ark of the testimony, where I will meet with you.”



Ex. 30:34, “Then the LORD said to Moses, ‘Take for yourself spices, stacte and onycha and galbanum, spices with pure frankincense; there shall be an equal part of each.

Ex. 30:35, “With it you shall make incense, a perfume, the work of a perfumer, salted, pure, and holy.



Ex. 30:36, “You shall beat some of it very fine, and put part of it before the testimony in the tent of meeting where I will meet with you; it shall be most holy to you.

Ex. 30:37, “The incense which you shall make, you shall not make in the same proportions for yourselves; it shall be holy to you for the LORD.

Ex. 30:38, “Whoever shall make any like it, to use as perfume, shall be cut off from his people.”

Ex. 30:7, “Aaron shall burn fragrant incense on it; he shall burn it every morning when he trims the lamps.

Ex. 30:8, “When Aaron trims the lamps at twilight, he shall burn incense. There shall be perpetual incense before the LORD throughout your generations.”

Lev. 16:13, “He shall put the incense on the fire before the LORD, that the cloud of incense may cover the mercy seat that is on the ark of the testimony, otherwise he will die.”

Ex. 30:9, “You shall not offer any strange incense on this altar, or burnt offering or meal offering; and you shall not pour out a drink offering on it.”

Ex. 30:37, “The incense which you shall make, you shall not make in the same proportions for yourselves; it shall be holy to you for the LORD.

Ex. 30:38, “Whoever shall make any like it, to use as perfume, shall be cut off from his people.”



Tabernacle altar of incense



Tabernacle altar of incense

Rom. 8:33, “Who will bring a charge against God’s elect? God is the one who justifies;

Rom. 8:34, “who is the one who condemns? Christ Jesus is He who died, yes, rather who was raised, who is at the right hand of God, who also intercedes for us.”

Heb. 7:23, “The former priests, on the one hand, existed in greater numbers because they were prevented by death from continuing,

Heb. 7:24, “but Jesus, on the other hand, because He continues forever, holds His priesthood permanently.

Heb. 7:25, “Therefore He is able also to save forever those who draw near to God through Him, since He always lives to make intercession for them.”

2. ἐντυγχάνω (entynchanō), meet, turn to, approach, petition, pray, intercede;

ὑπερεντυγχάνω (hyperentynchanō), plead, intercede.

Acts 25:24, “And Festus said: ‘King Agrippa and all the men who are here present with us, you see this man about whom the whole assembly of the Jews petitioned me, both at Jerusalem and here, crying out that he was not fit to live any longer’.”

Rom. 8:26, “In the same way the Spirit also helps our weakness; for we do not know how to pray as we should, but the Spirit Himself intercedes for us with groanings too deep for words;

Rom. 8:27, “and He who searches the hearts knows what the mind of the Spirit is, because He intercedes for the saints according to the will of God.”

Rom. 8:34, “Who is he who condemns? It is Christ who died, and furthermore is also risen, who is even at the right hand of God, who also makes intercession for us.”

Rom. 11:2, “God has not cast away His people whom He foreknew. Or do you not know what the Scripture says of Elijah, how he **pleads with God against Israel, saying,”**

Heb. 7:25, “Therefore He is also able to save to the uttermost those who come to God through Him, since He always lives to make **intercession** for them.”